

# WOOD GRAB for Log handling



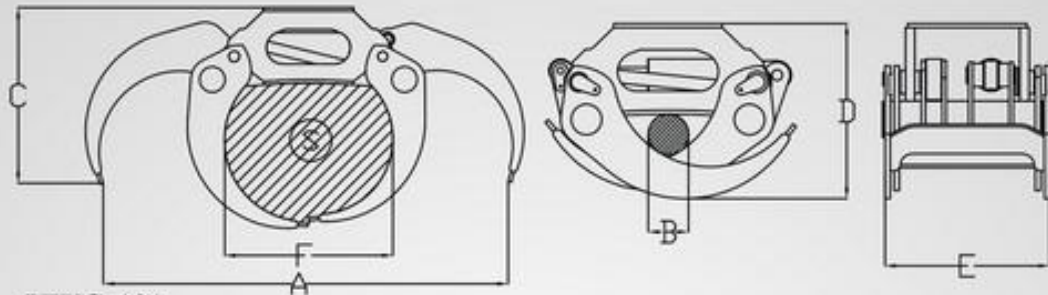
**VIKAS WELDFAB SYSTEMS**

# Q - 15, KSSIDC Industrial Estate, Veerasandra II Stage, Huskur Road  
Electronic City Post, Bangalore-560 100  
Telefax : +91 80 25730003, 32428590, Mob.: +91 9341217335, 9343769996  
Email : vikasbuckets@hotmail.com  
Web site : [www.vikasbuckets.com/](http://www.vikasbuckets.com/) [www.vikasweldfab.com](http://www.vikasweldfab.com)

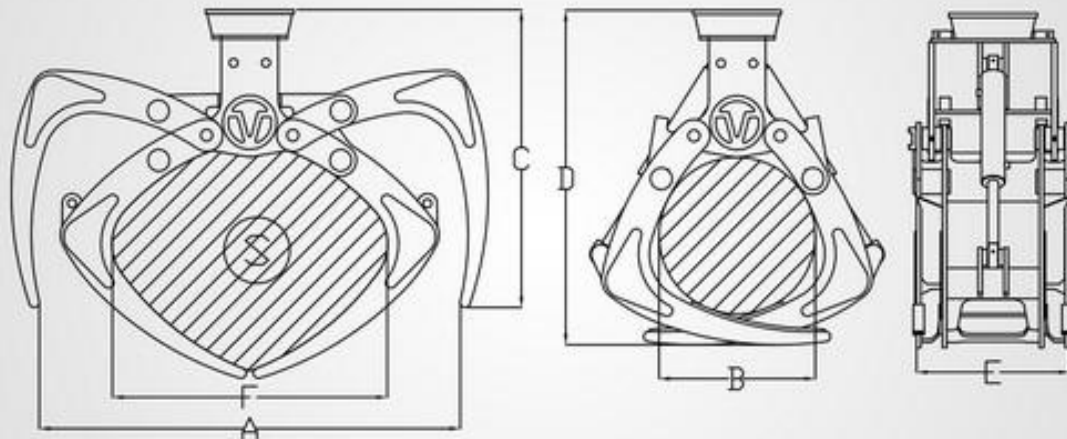
# WOOD GRAB

## for Log handling

### SPECIFICATIONS



VWG-101



VWG-201/202

MODEL	PRESSURE	WEIGHT	DIMENSION						
	BAR		KG.	A	B	C	D	E	F
VWG-101	280	500	1900	150	800	675	640	780	0.50
VWG-201	300	850	2000	600	1350	1500	700	700	0.70
VWG-202	300	900	2225	750	1375	1550	710	800	0.90

Dimension and specifications are subjected to change with notice

**Optional Rotation**

360 Self rotor

360 Power rotor



## VIKAS WELDFAB SYSTEMS

# Q - 15, KSSIDC Industrial Estate, Veerasandra II Stage, Huskur Road

Electronic City Post, Bangalore-560 100

Telefax : +91 80 25730003, 32428590, Mob.: +91 9341217335, 9343769996

Email : vikasbuckets@hotmail.com

Web site : www.vikasbuckets.com/ www.vikasweldfab.com